

**INNER RINGS**

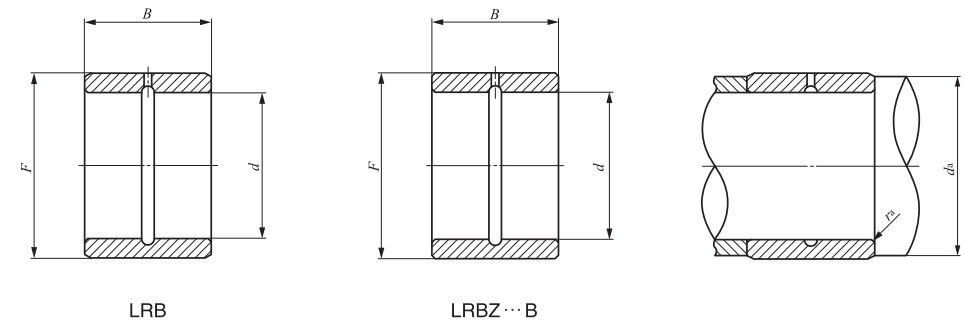
Inner Rings for General Usage **Inch Series**



Shaft dia. 69.850 – 88.900mm

Shaft dia. mm (inch)	Identification number		Mass (Ref.) g	Boundary dimensions mm(inch)			Standard mounting dimensions mm <sup>(1)</sup>		
				<i>d</i>	<i>F</i>	<i>B</i>	<i>d<sub>a</sub></i>		<i>r<sub>as max</sub></i>
						Min.	Max.	Max.	
69.850 (2 3/4)	LRB 445228	—	530	69.850 (2 3/4)	82.550 (3 1/4)	44.700	77	79	2
	LRB 445232	—	600	69.850 (2 3/4)	82.550 (3 1/4)	51.050	77	79	2
	—	LRBZ 445228 B	530	69.850 (2 3/4)	82.550 (3 1/4)	44.700	77	79	1.5
76.200 (3)	LRB 485632	—	640	76.200 (3 )	88.900 (3 1/2)	51.050	83.5	86	2
	—	LRBZ 485632 B	640	76.200 (3 )	88.900 (3 1/2)	51.050	83.5	86	1.5
82.550 (3 1/4)	LRB 526032	—	690	82.550 (3 1/4)	95.250 (3 3/4)	51.050	91	93	2.5
	—	LRBZ 526032 B	690	82.550 (3 1/4)	95.250 (3 3/4)	51.050	91	93	1.5
88.900 (3 1/2)	LRB 566432	—	750	88.900 (3 1/2)	101.600 (4 )	51.050	97	99	2.5

Note(1) Maximum allowable fillet corner radius of shaft  
 Remark LRB with inner ring bore diameter *d* of 76.200 mm or less and LRBZ...B are provided with an oil groove and an oil hole.  
 Other models are provided with an oil groove and two oil holes.



Assembled bearings	
BR 526828	
BR 526832	
BR 526828UU	
BR 567232	
BR 567232UU	
BR 607632	
BR 607632UU	
BR 648032	

**H**  
 IRT  
 IRB  
 LRT  
 LRB